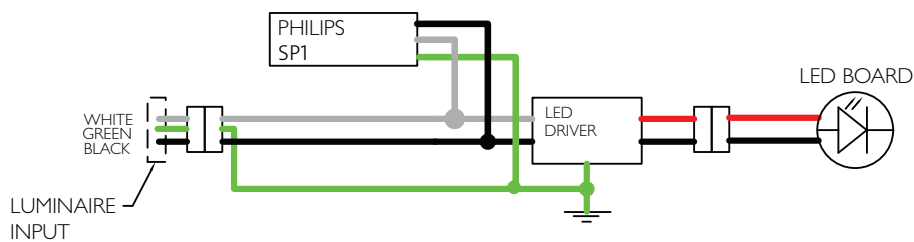


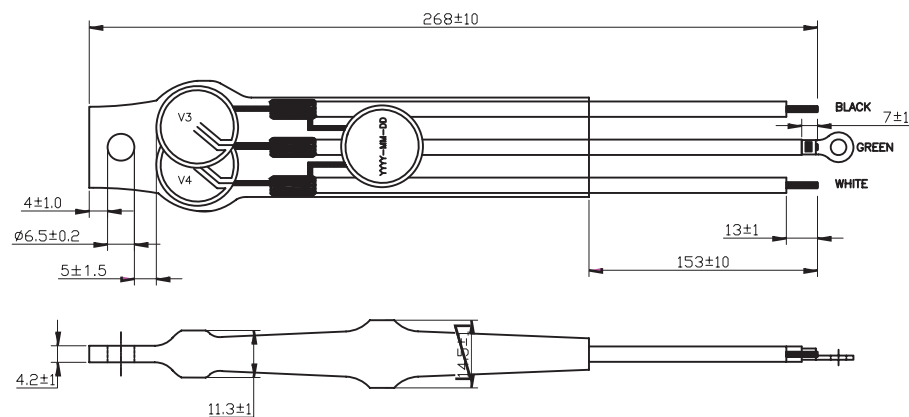
# SP1

## Surge Protection Device

Adapted to SSL outdoor lighting, the Philips SP1 surge protection device provides single phase protection for line/neutral, line/ground and neutral/ground in accordance with **IEEE C62.41 2002 C High**. The SP1 small size corresponds to the current design requirements for the new technology luminaires, like a LED light engine in outdoor lighting.



<b>Voltage Input:</b>	120V-277V (+/- 5%)
<b>Frequency:</b>	50Hz-60Hz
<b>Clamping Voltage:</b>	320V
<b>Maximum Energy:</b>	430 Joules
<b>Maximum Peak Current:</b>	10kA (8/20 $\mu$ s standard wave)
<b>Wiring:</b>	14 Gauges stranded wires, 105°C, 600V
<b>Wire Connections:</b>	Black and white: 12mm skinned and thin platted Green: 12mm skinned with terminal malt
<b>Mounting hole:</b>	5.5mm



UNLESS OTHERWISE SPECIFIED  
DIMENSIONS ARE IN MILLIMETER (mm)

RoHS

**PHILIPS**