

SPECIFICATION



S5 LED STREET LIGHT (More Smart, More Durable)

Features



DUALRAYS
Intelligent . Healthy . Efficient

S5
LED Street Light
(Smart & Durable Wireless Control)

- > Precision Integrated Die-casting ADC12 AL, Excellent Thermal Conductivity;
- > High Brightness LUMILEDS LUXEON SMD3030 2D / SMD5050 LEDs, Meanwell HLG / ELG Driver Optional;
- > IP66 / IK08 Protection;
- > Professional Type I / Type II (Long & Medium) / Type III (Medium) / Type IV / Type V (Medium) optic Optional;
- > Surface Spray-paint Finish, Oxidation / Corrosion / Acid Resistant;
- > 3/7-pin twist-lock base for photocell controller or Zigbee wireless controller available;
- > $\pm 10^\circ / -90^\circ (< 90W)$ or $\pm 15^\circ / -90^\circ (> 90W)$ lamp head adjustable;
- > Various Intelligent Control: 1-10V, DALI, Microwave Sensor, Daylight Sensor, Zigbee for Option;
- > No UV or IR and completely mercury free;
- > L70/B20 @ 70,000h;
- > Customized supported for special projects;

CE RoHS LM-79 LM-80 SAA

- > High brightness LUXEON SMD3030/SMD5050 LEDs, energy efficient - up to 150 LPW;
- > Die-casting Al for excellent heat dissipation;
- > Superior PC reflector-optic for low glare applications, and toughened glass protection;
- > IP66 and IK08 for road lighting application;
- > Driver and housing separated by spacers;
- > Professional Type I / Type II (Long & Medium) / Type III (Medium) / Type IV / Type V (Medium) optic for option;
- > $\pm 15^\circ / -90^\circ$ lamp head adjustable;;
- > No UV or IR and completely mercury free;
- > L80/B10 @ 70,000h;
- > 5 years warranty, 7 years warranty negotiated;

Options:

- > Driver: ELG/HLG, Sosen;
- > Controls and Dimming: 1-10V, DALI, PWM, Zigbee Wireless Dimming for option;
- > 10KA PHILIPS SPD, 20KA Meanwell SPD optional;
- > 3-pins photocell controller ON/OFF, and 7-pins NEMA socket smart wireless control available;
- > Zigbee module (Single-lamp Controller and centralized manager) with software for option;
- > DALI driver and DALI Centralized Manager optional;
- > Light pole adapter for different poles optional;
- > Customized supported for special projects.

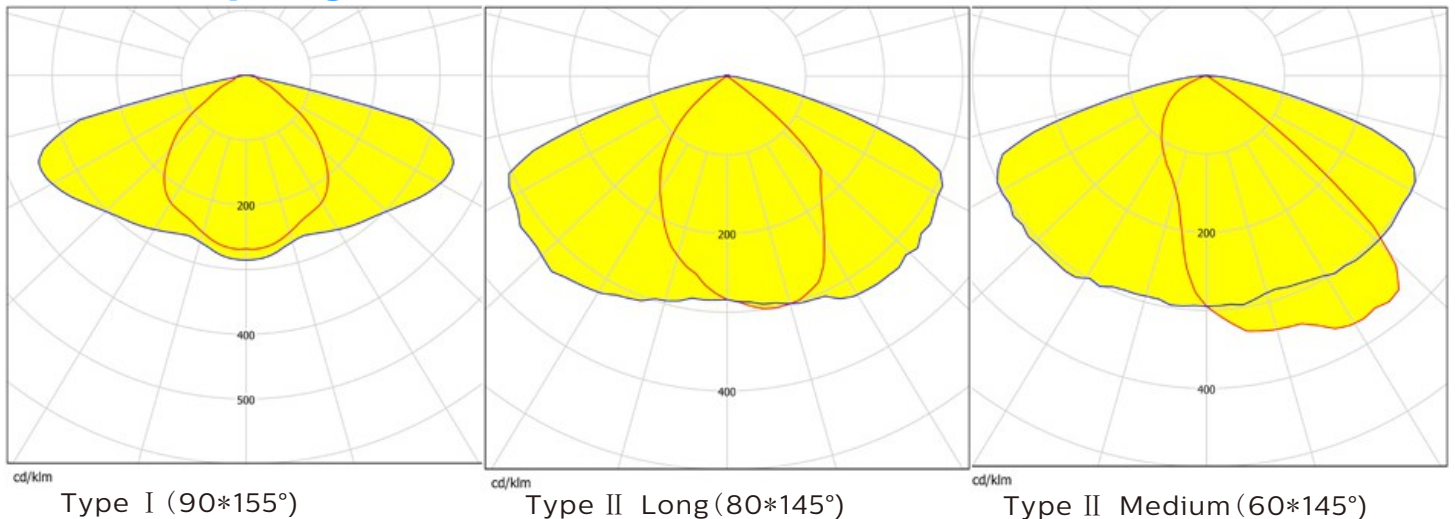
Application

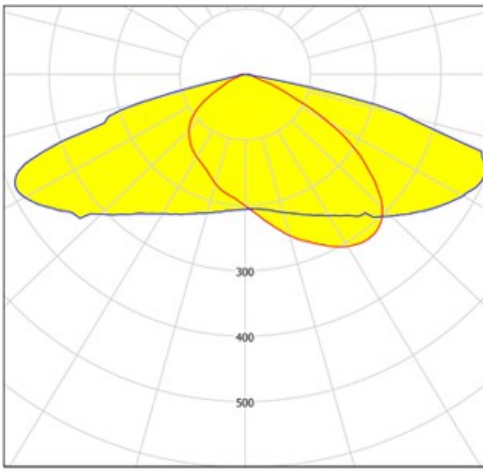
- > Roadways, Avenues
- > Walkways, Loading Area
- > Parking lot, Playground
- > Sport and Stadium

Technical Parameters

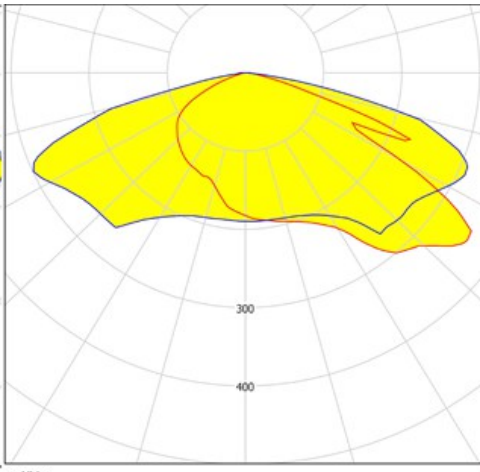
Model No.	DR-ST030-EGXX	DR-ST060-EGXX	DR-ST090-EGXX	DR-ST120-EGXX	DR-ST150-EGXX	DR-ST180-EGXX
System Watts/W	30W	60W	90W	120W	150W	180W
System Efficiency/LPW	120LPW/150LPW Optional					
Lumen Output/lm	3.600/4.500±5%	7.200/9.000±5%	10.800/13.500±5%	14.400/18.000±5%	18.000/22.500±5%	21.600/27.000±5%
Rated Input Voltage/V	AC100~277V 50/60Hz					
LEDs Light Source	SMD3030					
SDCM	<6					
CCT/K	3000K/4000K/5000K/5700K/6500K					
CRI/Ra	>70Ra (>80Ra for Option)					
Power Factor	>0.95					
THD	<10%					
Beam Angle(Optional)	Type I /Type II (Long & Medium) /TypeIII (Medium) /TypeIV (Medium) /TypeV (Medium)					
UGR	<25					
Surge Protection	6~10KV SPD built in Driver, Exterior SPD 10KV(PHILIPS) or 20KV Meanwell Optional					
LED Driver	Meanwell ELG/HLG, Sosen					
IP Rating	IP66					
Dimming(Optional)	0/1-10V/PWM/DALI/Zigbee					
Protection Class	Class I					
Finishing Color(Optional)	Black RAL9017 / White RAL9016					
Material	Aluminum+PC+Toughened Glass					
Lifespan/hrs	>70.000 Hrs (Ta=30°C@L70)					
Operation Temp/°C	-40°C to + 50°C(-40°F to 122°F)					
Storage Temp/°C	-40°C to + 65°C(-40°F to 149°F)					
Pipe Diameter	φ60mm			φ70mm		
Certificate	CE(EMC+LVD),RoHS,D-Mark,SAA,RCM Available;					

Photometry Diagram

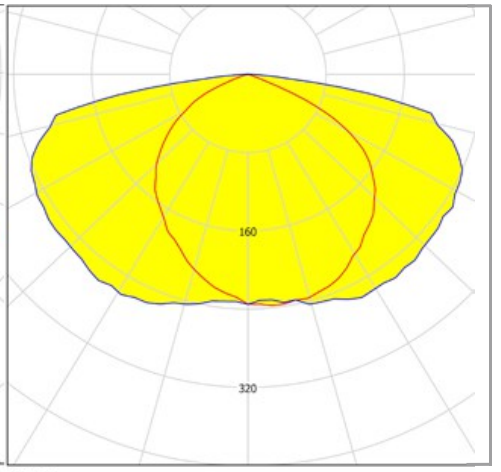




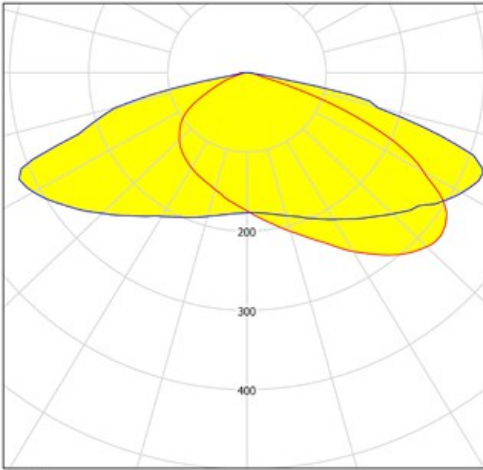
cd/klm
Type II Medium (80*145°)



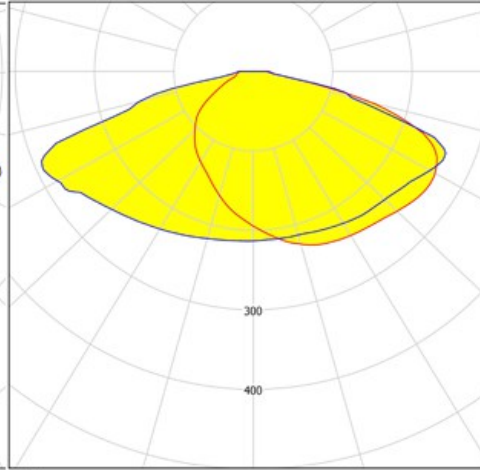
cd/klm
Type III Medium (45*157°)



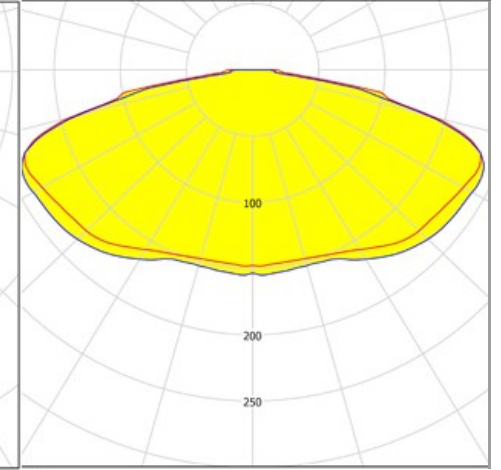
cd/klm
Type III Medium (100*160°)



cd/klm
Type III Medium (80*145°)

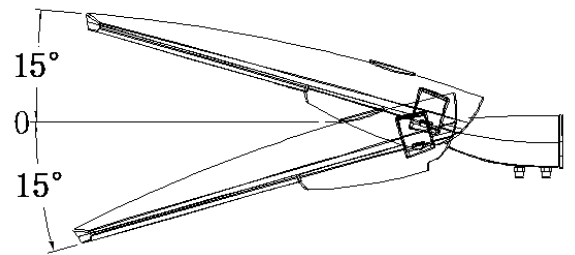
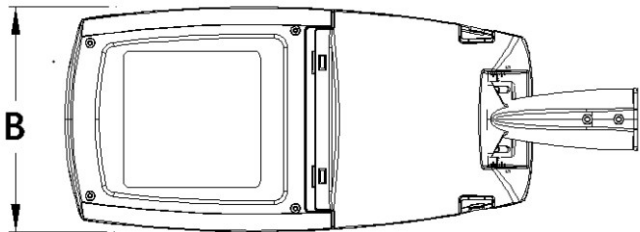
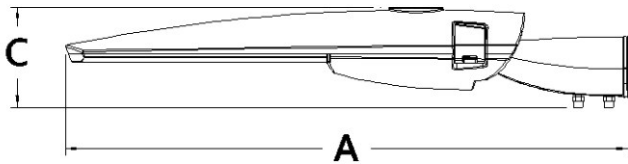


cd/klm
Type IV Medium (105*157°)



d/klm
Type V Medium (160*160°)

Dimensions

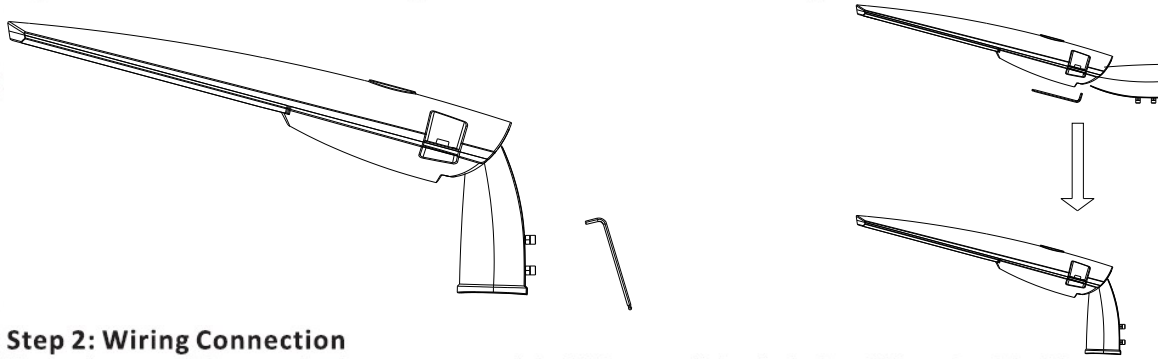


Character/Power	30W/60W	90W/120W	150W/180W
A	620mm	738mm	922mm
B	287mm	289mm	362mm
C	118mm	118mm	140mm

Installation

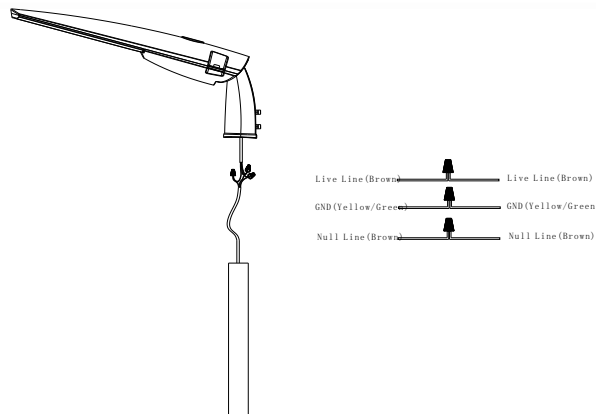
Step 1: Adjust light angle

Torsion loose the two hexagonal screws of M8 on the street lights bracket ,adjust the lamp angle as customer requested and then screw the hexagonal screws of M8 on the street lights bracket with wrench until Tightened.



Step 2: Wiring Connection

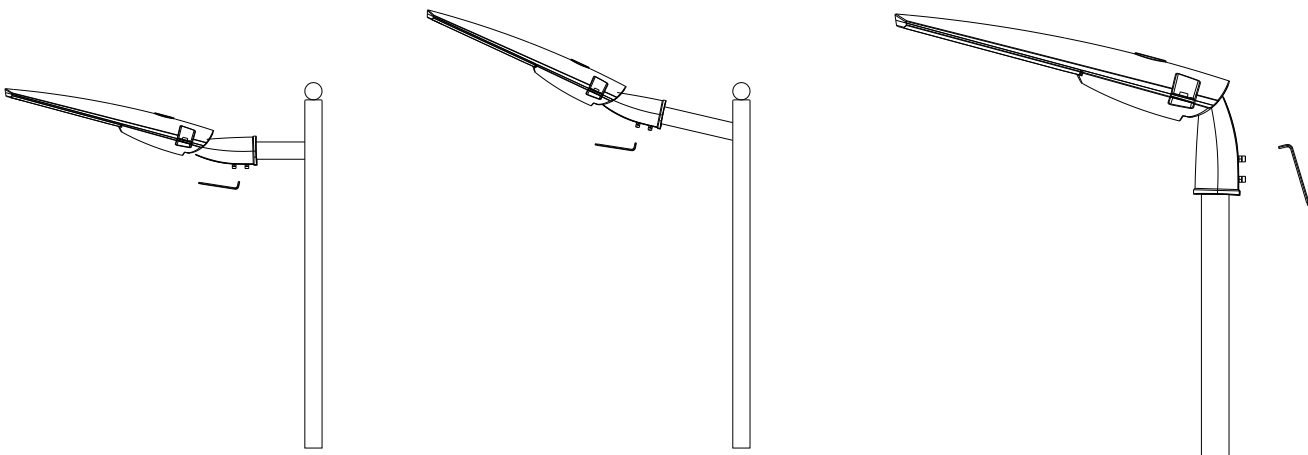
The ex-factory of the standard components of the LED street lights include a 3*1mm² cable .The power supplywire should suffer the voltage $\geq 300/500V$,the copper cross-section $\geq 0.75 \text{ mm}^2$ of 3 copper wires inside.The installation and wiring connection should be carried out after turning the power off. Before wiring connection, the operator must check the polarity of power supply to prevent the damage of controller fuse and lamp.The mode of connection is shown by the picture as below:



Notes: For outdoor use, waterproof processing at the connection is necessary.

Step 3: Fasten luminaires to pole with bolt

The pole diameter is $60 \pm 2\text{mm}$ and the length of connective part is 90-100mm.Torsion loose the three hexagonal screws of M8 on the top of bracket ,fasten the light to the pole and then screw the hexagonal screws of M8 with wrench until Tightened.



Step 4: Switch on the power and make sure the light is on.Then the installation is finished.



Wiring Diagram



WARNING!

1. Switch off before installation.
2. Switch on only after complete installation and examination of the circuit.
3. Professional electrician for installation and maintenance only.



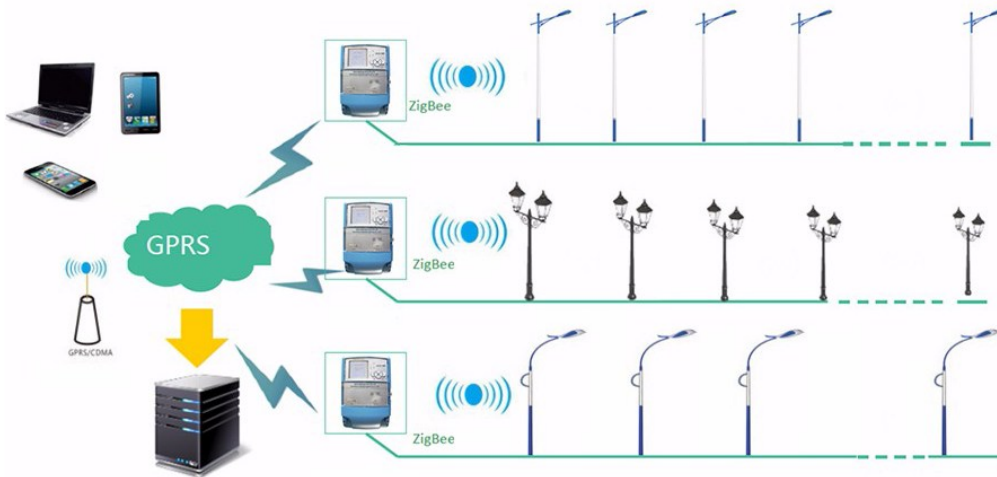
Turn Off Power Supply

Packaging Information

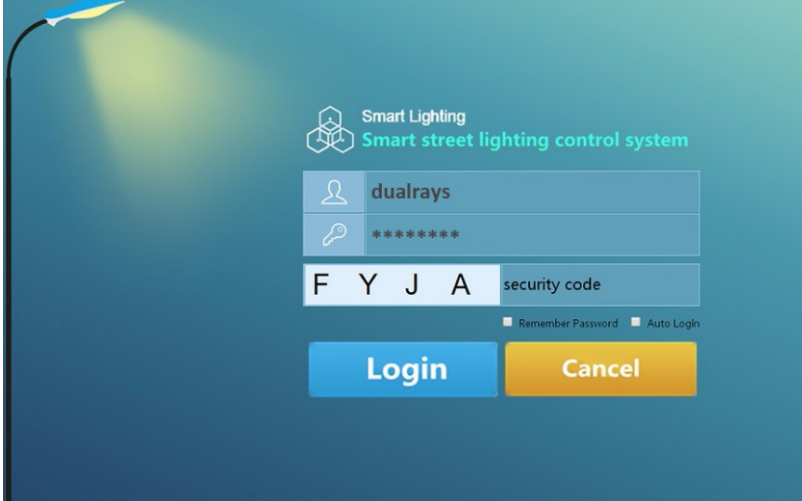
Model No.	Net Weight/Kg	Outer Carton Size/mm	Gross Weight/Kg	QTY"/CTN
DR-ST030-EGXX	4.6	670*315*190	5.1	1PCS
DR-ST060-EGXX	5.1	670*315*190	5.9	1PCS
DR-ST090-EGXX	5.7	780*350*185	6.8	1PCS
DR-ST120-EGXX	6.4	780*350*185	7.6	1PCS
DR-ST150-EGXX	9.3	965*420*195	10.8	1PCS
DR-ST180-EGXX	10.9	965*420*195	12.4	1PCS

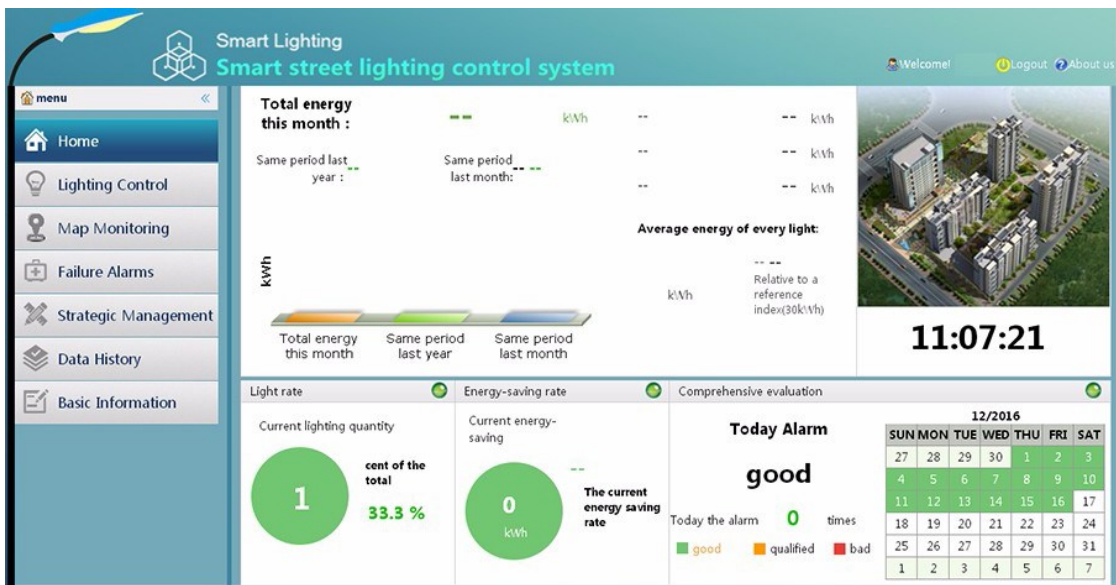
Zigbee Wireless Control Introduction

Zigbee Wireless Intelligent Control



Zigbee Wireless Intelligent Control Operator Interface





Application Reference

