

# SPECIFICATION



## **SP6™ LED SPORT LIGHT** (Designed for Your Arena)

# Features



**DUAL RAYS**  
Intelligent Industries

## SP6 LED Sport Light

(Designed for Your Arena)

- > Precision Integrated Die-casting Process, Excellent Thermal Conductivity;
- > High Brightness LUMILEDS LUXEON SMD5050 LEDs, Meanwell HLG / ELG Driver;
- > IP65 / IK08 Protection;
- > Symmetrical 30°/60°/90° beam angle optional;
- > Corrosive Resistant Powder Coated Finish;
- > Multi-scale lens to create well-balanced distribution and reduce glare;
- > Shield to Reduce the Light Glare;
- > Laser Pointer to Assistant Installation for the Best Lamp Position Angle to Get a Optimal Light Distribution;
- > 360° Adjustable Supporting Fixture;
- > Various intelligent control: 1-10V, DALI, PWM, Zigbee for Option;
- > Customized supported for special projects;

LM-79 LM-80 SAA

- > Precision Integrated Die-casting Process, Excellent Thermal Conductivity
- > High Brightness LUMILEDS LUXEON SMD5050 LEDs, Meanwell HLG / ELG Driver;
- > Built-in Plug and Play Motion Sensor with Compact Structure;
- > IP65 / IK08 Protection;
- > Symmetrical 30°/60°/90° beam angle optional;
- > Corrosive Resistant Powder Coated Finish;
- > Laser Pointer to Assistant Installation for the Best Lamp Position Angle to Get a Optimal Light Distribution;
- > 360° Adjustable Supporting Fixture;
- > Various intelligent control: 1-10V, DALI, PWM, Zigbee for Option;
- > No UV or IR and completely mercury free;
- > L70/B20 @ 70.000h;
- > Customized supported for special projects;

### Options:

- > Driver: Meanwell ELG/HLG driver;
- > Controls and Dimming: 1-10V, DALI, PWM, Zigbee for Option;
- > Surge Protection Device: Meanwell SPD-20 20KV Surge Protector;
- > Lens : Symmetrical 30°/60°/90° beam angle optional;
- > Aiming Device: Laser Pointer;

## Application

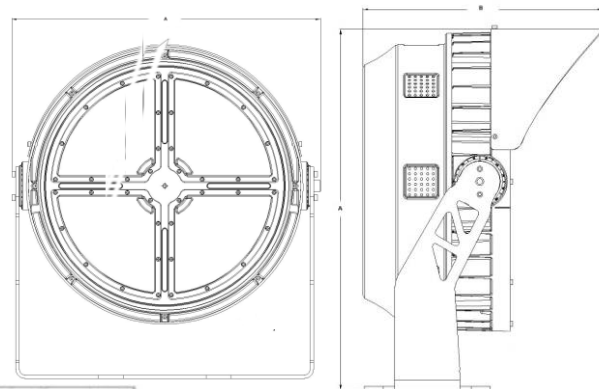
- > Multiple and multipurpose sports facilities and arenas
- > Stadiums and Racing tracks
- > Public squares
- > Outdoor arenas
- > Indoor sports arenas and halls

# Technical Parameters

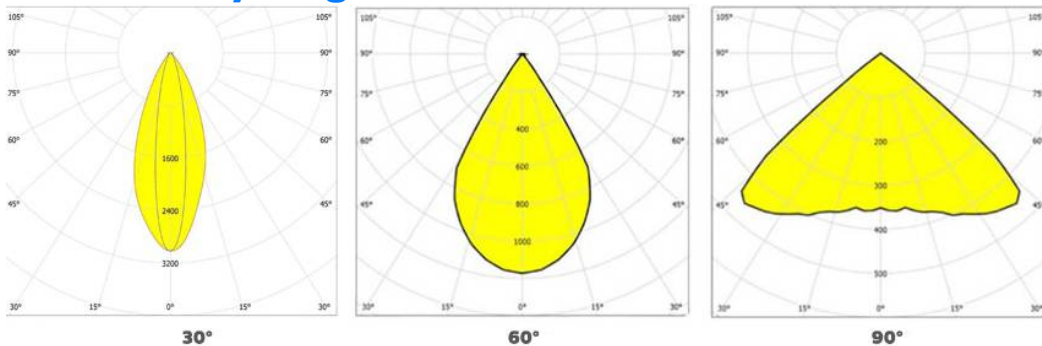
<b>Model No.</b>	DR-SPL300-FGXP	DR-SPL400-FGXP	DR-SPL600-FGXP	DR-SPL800-FGXP
<b>System Watts/W</b>	300W	400W	600W	800W
<b>System Efficiency/LPW</b>	150LPW			
<b>Lumen Output/lm</b>	45.000±5%	60.000±5%	90.000±5%	120.000±5%
<b>Rated Input Voltage/V</b>	AC100~277V, 50/60Hz			
<b>LEDs Light Source</b>	SMD5050			
<b>SDCM</b>	<5			
<b>CCT/K</b>	5000K for Standard (3000K/4000K/5700K/6500K Optional)			
<b>CRI/Ra</b>	>70Ra (>80Ra for Option)			
<b>Power Factor</b>	>0.95			
<b>THD</b>	<10%			
<b>Beam Angle(Optional)</b>	30°/60°/90°			
<b>UGR</b>	<25			
<b>Surge Protection</b>	4~6KV SPD built in Driver, Exterior SPD 20KV Meanwell Optional			
<b>LED Driver</b>	Meanwell ELG / HLG Optional			
<b>IP Rating</b>	IP65			
<b>Dimming(Optional)</b>	1-10V, DALI, PWM, Zigbee for Option			
<b>Safety Protection</b>	Open Circuit / Short Circuit / Over-voltage / Over Temperature Protection			
<b>Start Time</b>	0.5s			
<b>Protection Class</b>	Class I			
<b>Finishing Color(Optional)</b>	Black RAL9017(Standard) / White RAL9016 Matt Optional			
<b>Material</b>	Aluminum+PC			
<b>Lifespan/hrs</b>	70.000 Hrs (Ta=30°C@L70)			
<b>Operation Temp/°C</b>	-40°C to + 50°C(-40°F to 122°F)			
<b>Storage Temp/°C</b>	-40°C to + 65°C(-40°F to 149°F)			
<b>Switching Cycles</b>	100,000 Times			
<b>Certificate</b>	CE(EMC+LVD),RoHS,ENEC ,D-Mark,SAA,RCM Available			

## Dimensions

Character/Power	300W	400W	480W	480W
<b>A</b>	Ø445mm	Ø445mm	Ø537mm	Ø537mm
<b>B</b>	321mm	321mm	373mm	373mm

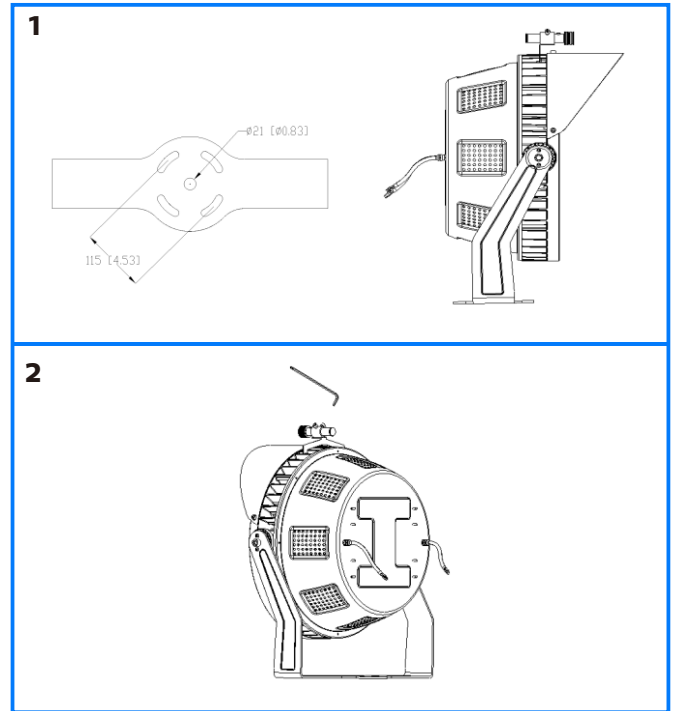


## Photometry Disgram



# Installation

1. Figure 1 shows the bolt pattern of the mount.
2. Secure the fixture using the 2 mounting holes.
3. Pull the wire through the center hole to complete the wiring.
4. Make sure that your connection is watertight.
5. Connect the dimming wires and bring them through the back plate.
6. Attach the laser pointer to the holder.



## INSTALLATION GUIDE

### IMPORTANT SAFETY INFORMATION:

Please read all the instructions below before installation

- > Make sure that the supply voltage corresponds to the rated product voltage;
- > The product must be installed by a qualified electrician in accordance with the National Electrical Code and corresponding local codes.
- > If the product is damaged, do not use it!



Turn Off Power Supply

## Wiring Diagram



### RISK OF PERSONAL INJURY – READ and follow all WARNINGS and installation instructions.

Keep or give to the owner for future reference.

- Risk of cuts:** Wear gloves to prevent cuts or abrasions when removing from carton, handling, installing, and maintaining this product.
- Risk of electric shock:** This product must be installed in accordance with the applicable installation code by a person familiar with the construction and operation of the product and the hazards involved.
- Risk of Fire:** Minimum 194°F supply conductors. Consult a qualified electrician to ensure correct branch circuit conductor.

DUALWAYS® assumes no responsibility for claims arising out of improper or careless Installation or handling of this product.



## Packaging Information

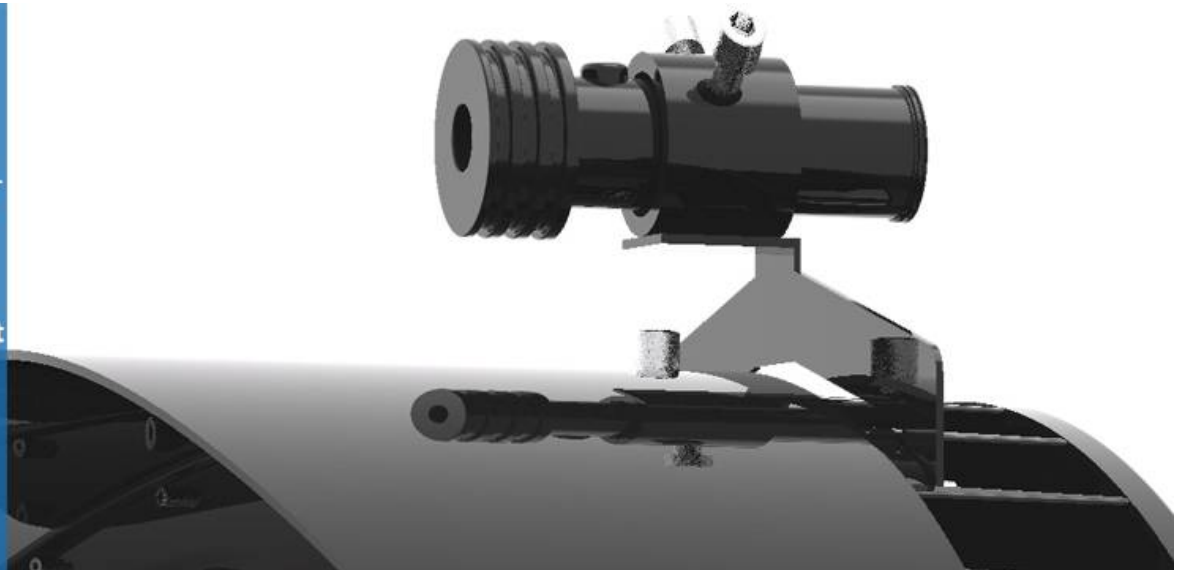
Model No.	Net Weight/Kg	Outer Carton Size/mm	Gross Weight/Kg	QTY"/CTN
DR-SPL300-FGXP	12.4	610*510*250	13.8	1PCS
DR-SPL400-FGXP	12.9	610*510*250	14.7	1PCS
DR-SPL600-FGXP	25.3	890*710*275	27.6	1PCS
DR-SPL800-FGXP	25.9	890*710*275	28.8	1PCS

## Details Demo

Shield to Reduce the Light Glare>>>



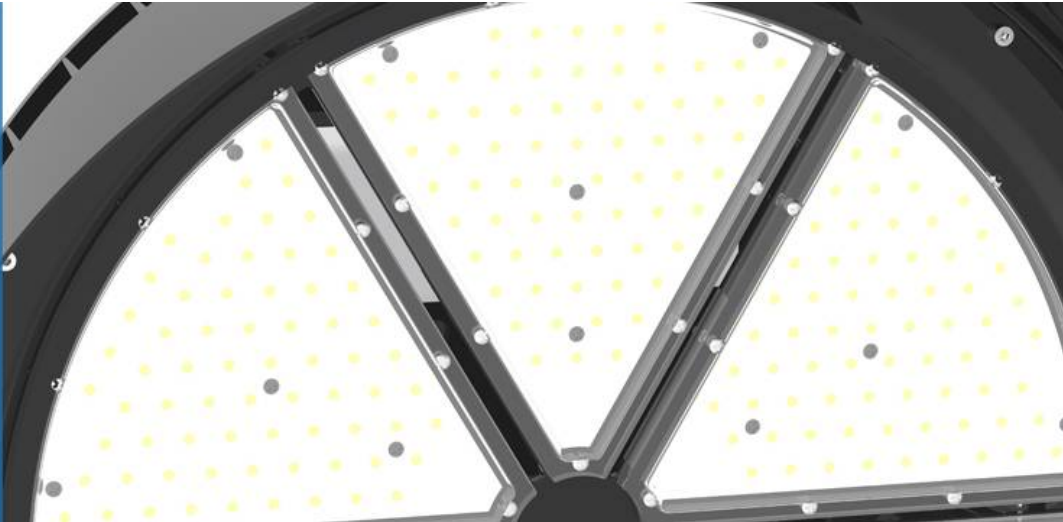
Laser Pointer to Assistant Installation for the Best Lamp Position Angle to Get a Optimal Light Distribution>>>



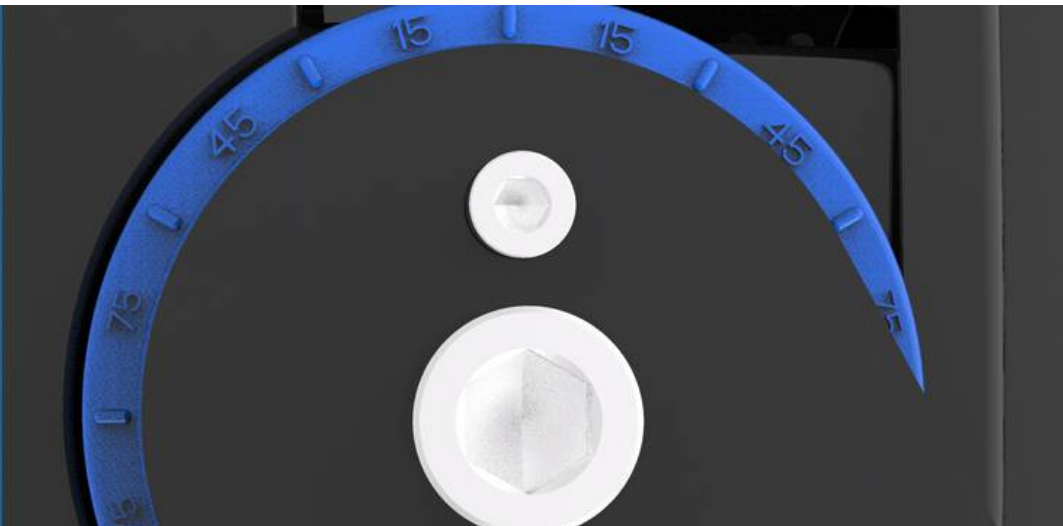
Precision Integrated  
Die-casting Pro-  
cess,Excellent Ther-  
mal Conductivity  
>>>



Multi-scale lens  
to create well-bal-  
anced distribution  
and reduce glare  
>>>



Adjustable Flange  
Plate for the  
Optimal Lighting  
Position>>>





## Application Reference

