

SPECIFICATION



SP5™ LED SPORT LIGHT (Durable for Your Stadium)



SP5 LED Sport Light

(Durable for Your Stadium)

- > Fin Riveting Design, Hollow-carved Heat Sink, Increase Air Flow for Excellent Thermal Conductivity;
- > High Brightness LUMILEDS LUXEON SMD5050 LEDs, Meanwell HLG / ELG Driver;
- > IP65 / IK08 Protection;
- > Symmetrical 20°/30°/60°/90°, Asymmetrical 140°*60° beam angle optional;
- > Corrosive Resistant Powder Coated Finish;
- > Independent Driver and Module Space to Avoid Heat Affect for Each Other;
- > Integrated Back Cover Design, More Compact and Elegant;
- > Various intelligent control: 1-10V, DALI, PWM, Zigbee for Option;
- > Customized supported for special projects;



- > Fin Riveting Design, Hollow-carved Heat Sink, Increase Air Flow for Excellent Thermal Conductivity;
- > High Brightness LUMILEDS LUXEON SMD5050 LEDs, Meanwell HLG / ELG Driver;
- > Built-in Plug and Play Motion Sensor with Compact Structure;
- > IP65 / IK08 Protection;
- > Symmetrical 20°/30°/60°/90°, Asymmetrical 140°*60° beam angle optional;
- > Corrosive Resistant Powder Coated Finish;
- > Independent Driver and Module Space to Avoid Heat Affect for Each Other;
- > Integrated Back Cover Design, More Compact and Elegant;
- > Various intelligent control: 1-10V, DALI, PWM, Zigbee for Option;
- > No UV or IR and completely mercury free;
- > L70/B20 @ 70.000h;
- > Customized supported for special projects;

Options:

- > Driver: Meanwell ELG/HLG driver;
- > Controls and Dimming: 1-10V, DALI, PWM, Zigbee;
- > Surge Protection Device: Meanwell SPD-20 20KV Surge Protector;
- > Lens : Symmetrical 20°/30°/60°/90°, Asymmetrical 140°*60° optics;
- > Aiming Device: Laser Pointer;

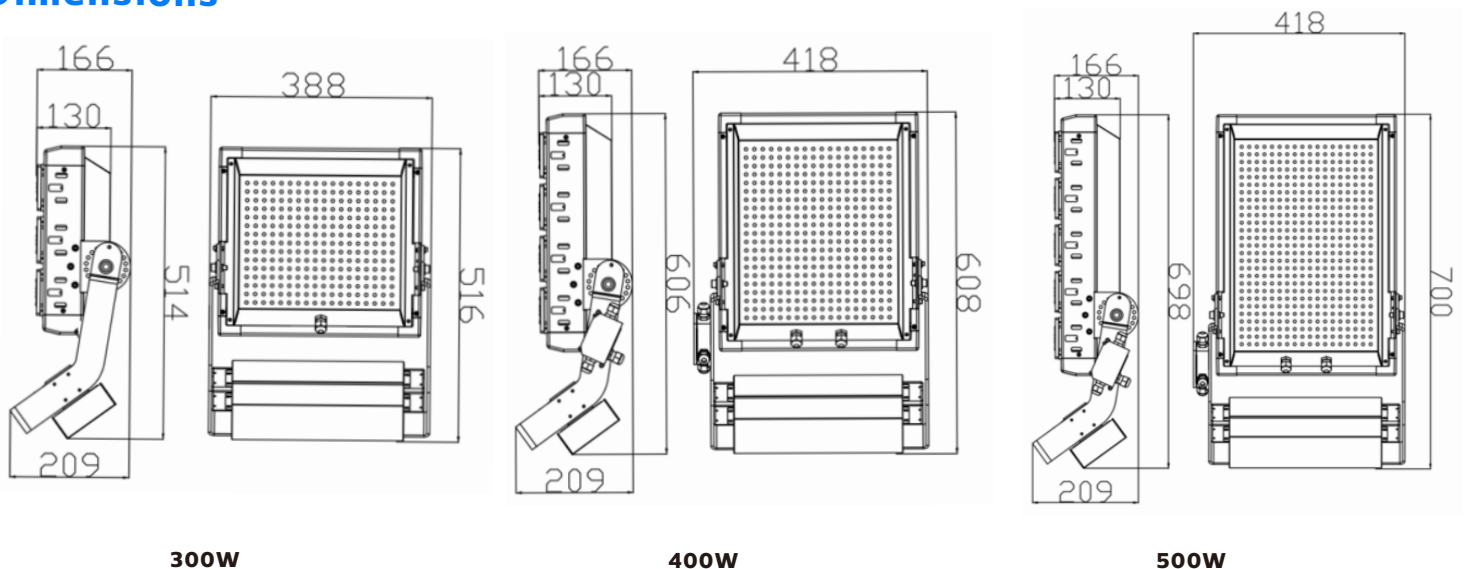
Application

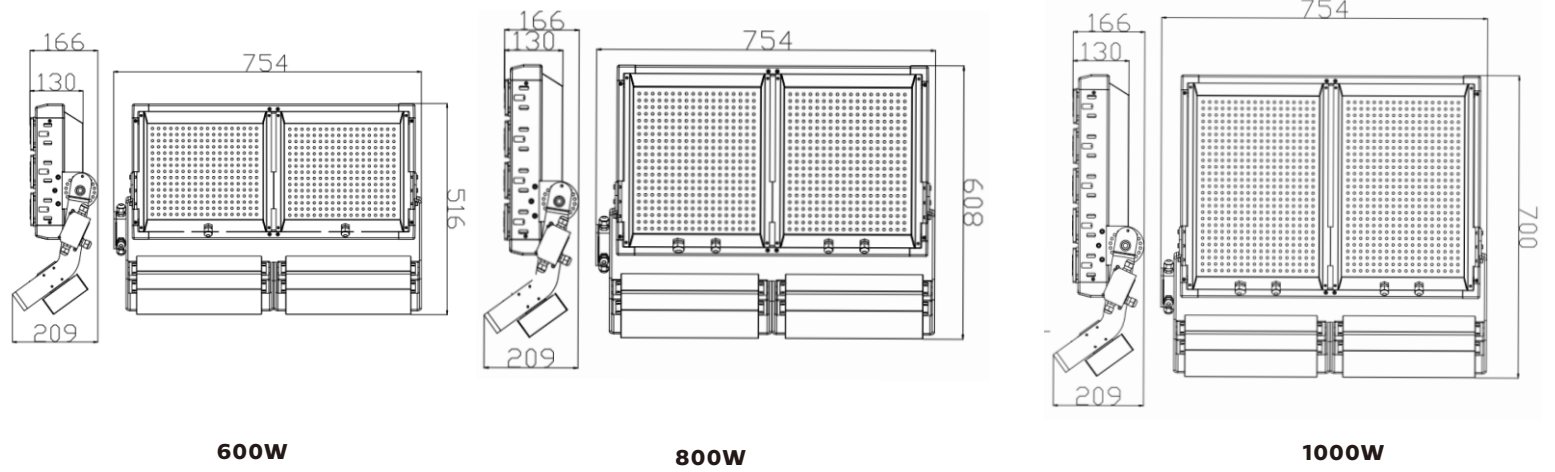
- > Logistics areas (Ports)
- > Stadiums and Racing tracks
- > Public squares
- > Apron lighting (Airports), Parking and Industrial areas
- > Recreational sports lighting applications (Football, Hockey, Basketball, Golf, Tennis, etc)

Technical Parameters

Model No.	DR-SPL300-EGXP	DR-SPL400-EGXP	DR-SPL500-EGXP	DR-SPL600-EGXP	DR-SPL800-EGXP	DR-SPL1000-EGXP
System Watts/W	300W	400W	500W	600W	800W	1000W
System Efficiency/LPW	150~160LPW					
Lumen Output/lm	48.000±5%	64.000±5%	80.000±5%	96.000±5%	128.000±5%	160.000±5%
Rated Input Voltage/V	AC100~277V, 50/60Hz					
LEDs Light Source	SMD5050					
SDCM	<5					
CCT/K	5000K for Standard (3000K/4000K/5700K/6500K Optional)					
CRI/Ra	>70Ra (>80Ra for Option)					
Power Factor	>0.95					
THD	<10%					
Beam Angle(Optional)	20°/30°/60°/90°/140*60° Optional					
UGR	<25					
Surge Protection	4~6KV SPD built in Driver, Exterior SPD 20KV Meanwell Optional					
LED Driver	Meanwell ELG / HLG Optional					
IP Rating	IP65					
Dimming(Optional)	1-10V, DALI,PWM,Zigbee for Option					
Safety Protection	Open Circuit / Short Circuit / Over-voltage / Over Temperature Protection					
Start Time	0.5s					
Protection Class	Class I					
Finishing Color(Optional)	Black RAL9017(Standard) / White RAL9016 Matt Optional					
Material	Aluminum+PC					
Lifespan/hrs	70.000 Hrs (Ta=30°C@L70)					
Operation Temp/°C	-40°C to + 50°C(-40°F to 122°F)					
Storage Temp/°C	-40°C to + 65°C(-40°F to 149°F)					
Switching Cycles	100,000 Times					
Certificate	CE(EMC+LVD),RoHS,ENEC ,D-Mark,SAA,RCM Available					

Dimensions



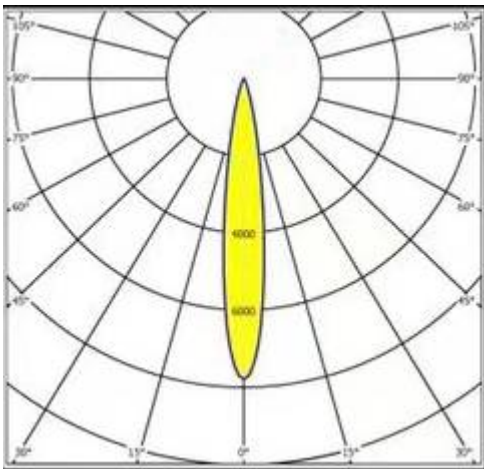


600W

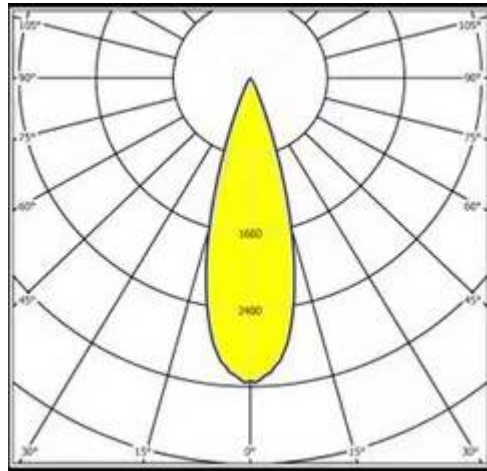
800W

1000W

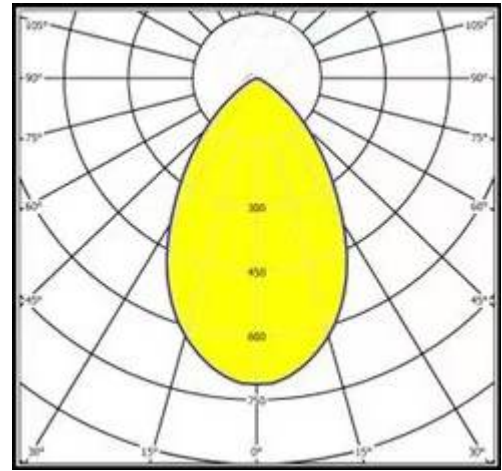
Photometry Diagram



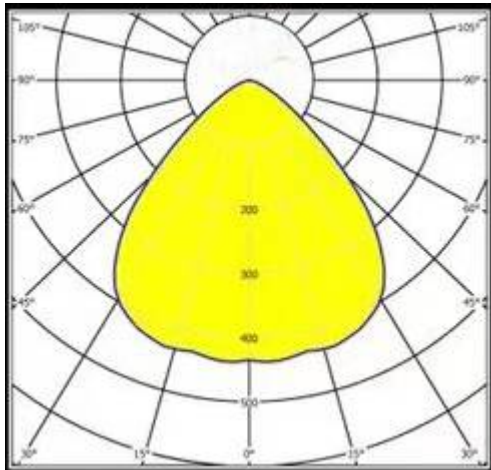
20°



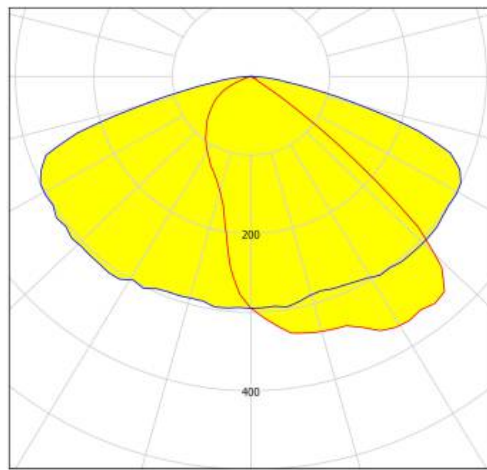
30°



60°



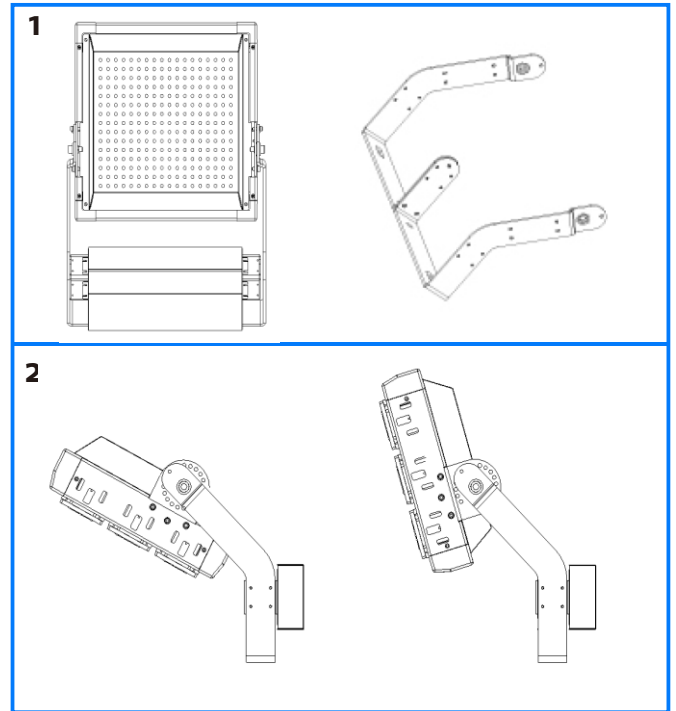
90°



140*60°

Installation

1. Figure 1 shows the bolt pattern of the mount.
2. Secure the fixture using the 2 mounting holes.
3. Connect the dimming wires.
4. Adjust the lamp angle to what you need.



INSTALLATION GUIDE

IMPORTANT SAFETY INFORMATION:

Please read all the instructions below before installation

- > Make sure that the supply voltage corresponds to the rated product voltage;
- > The product must be installed by a qualified electrician in accordance with the National Electrical Code and corresponding local codes.
- > If the product is damaged, do not use it!



Turn Off Power Supply

Wiring Diagram



RISK OF PERSONAL INJURY – READ and follow all WARNINGS and installation instructions.

Keep or give to the owner for future reference.

- Risk of cuts:** Wear gloves to prevent cuts or abrasions when removing from carton, handling, installing, and maintaining this product.
- Risk of electric shock:** This product must be installed in accordance with the applicable installation code by a person familiar with the construction and operation of the product and the hazards involved.
- Risk of Fire:** Minimum 194°F supply conductors. Consult a qualified electrician to ensure correct branch circuit conductor.

DUALWAYS® assumes no responsibility for claims arising out of improper or careless Installation or handling of this product.

Packaging Information

Model No.	Net Weight/Kg	Outer Carton Size/mm	Gross Weight/Kg	QTY"/CTN
DR-SPL300-EGXP	12.5	590*505*250	14.2	1PCS
DR-SPL400-EGXP	16.1	680*505*250	18.2	1PCS
DR-SPL500-EGXP	21.1	790*505*250	23.5	1PCS
DR-SPL600-EGXP	25.6	830*590*250	28.4	1PCS
DR-SPL800-EGXP	29.2	830*690*250	32.5	1PCS
DR-SPL1000-EGXP	36.3	830*790*250	39.8	1PCS

Details Demo



Integrated Back
Cover Design,More
Compact and
Elegant >>>



Application Reference

